

Addendum No. 2

RAILROAD CROSSINGS CONCRETE PLANKS MATERIALS

January 12, 2023

% CHANGES TO BID FORM:

U **Bid Form** has been updated. Materials will be separated by railroad crossing. Dimensions and curvature must be field verified as needed. New **Bid Form** attached to this **Addendum #2**.

& 7<5 B; 9GHC HA9H56 @.

U The last date for written questions to be received from Bidders is January 17, 2023 ~~2023~~

V The last day for issuance of an addendum is January 18, 2023.

W Bids must be received by the District's Director of Finance, no later than January 23, 2023 by 2:00 PM CST.

X Applicants are cordially invited to the Bid opening but are not required to attend.

It is anticipated that the award of the bid will be made at a meeting of the District's Board of Commissioners to be held on February 1, 2023. Bidders are welcome to attend this meeting, but attendance is not required. It is anticipated that the successful Bidder(s) will be notified on or about February 2, 2023.

Bid Form

RAILROAD CROSSINGS CONCRETE PLANK MATERIALS

BIDDER Agrees to supply all the materials provided by owner for the following Unit Prices (which include any and all applicable taxes and fees):

January 23, 2023

#	DESCRIPTION	EST. QTY.	UNIT COST	AMOUNT
WINDHAUS ROAD RAILROAD CROSSING				
1	Concrete Railroad Crossing Panels- 8'1-1/2" Length, 10' Width for 115# rail for use on 10' wood ties. Including all required panel hardware and tools for installation.	73.125 TF		
TOTAL AMOUNT FOR WINDHAUS ROAD RAILROAD CROSSING:				
DOCK 10 ENTRANCE RAILROAD CROSSING				
2	Concrete Railroad Crossing Panels- 8'1-1/2" Length, 10' Width for 115# rail for use on 10' wood ties. Including all required panel hardware and tools for installation.	73.125 TF		
TOTAL AMOUNT FOR DOCK 10 ROAD RAILROAD CROSSING:				
DOCK 11 ENTRANCE RAILROAD CROSSING				
3	Concrete Railroad Crossing Panels- 8'1-1/2" Length, 10' Width for 115# rail for use on 10' wood ties. Including all required panel hardware and tools for installation.	170.625 TF		
TOTAL AMOUNT FOR DOCK 11 ROAD RAILROAD CROSSING:				
DOCK 13 ENTRANCE RAILROAD CROSSING				
4	Concrete Railroad Crossing Panels- 8'1-1/2" Length, 10' Width for 115# rail for use on 10' wood ties. Including all required panel hardware and tools for installation.	170.625 TF		
TOTAL AMOUNT FOR DOCK 13 ROAD RAILROAD CROSSING:				
RAILROAD CROSSING #2				
5	Concrete Railroad Crossing Panels- 8'1-1/2" Length, 10' Width for 115# rail for use on 10' wood ties. Including all required panel hardware and tools for installation.	227.5 TF		
TOTAL AMOUNT FOR RAILROAD CROSSING #2:				
TOTAL BASE BID:				

DELIVERY DATE: _____

NOTES:

- The Brownsville Navigation District is exempt from sales taxes.
- The BIDDER, in compliance with your invitation for bids for the “**RAILROAD CROSSINGS CONCRETE PLANK MATERIALS**” supply, having examined the related documents, and being familiar with all of the conditions surrounding the delivery of the proposed materials, hereby proposes to furnish materials and supplies, within the time set forth herein, and at the bid unit prices above. These price(s) are to cover all expenses incurred in furnishing and delivering the materials required under the Request for Bids document, of which this bid is a part. These price(s) are firm and shall not be subject to adjustment provided this Bid is accepted within ninety (90) days after the time set for receipt of bids.
- Field verification is required to determine degree of curvature of Railroad Crossing #2. Supplier shall field-verify this information and shall furnish the required planks with the same degree of curvature as the existing planks. Any costs or expenses incurred for the field verification shall be subsidiary to the bid price, and shall not be paid for separately.

RAILROAD CROSSINGS CONCRETE PLANK MATERIALS



INDEX OF SHEETS	
1	COVER SHEET
2	RAILROAD CROSSINGS PLAN

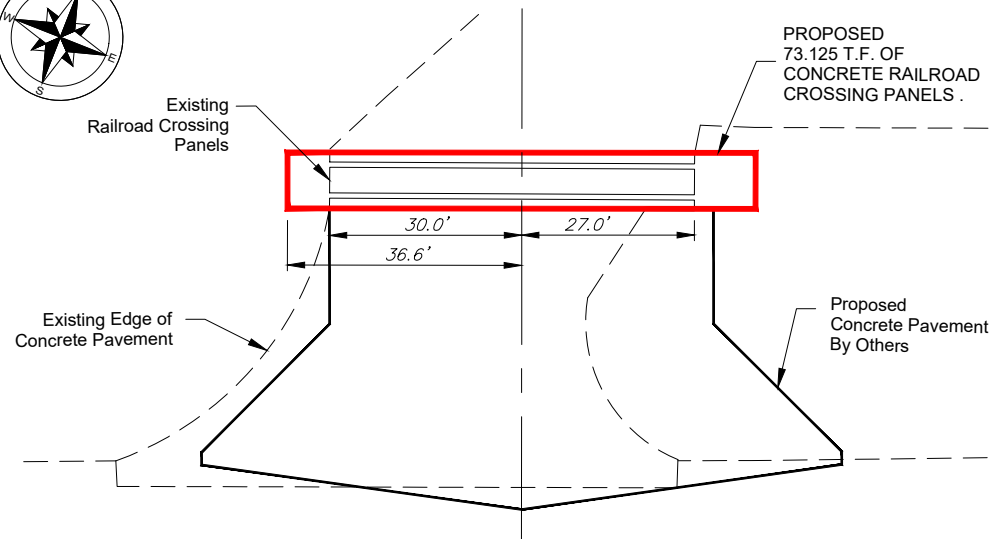


ISSUED FOR
BIDS
JANUARY 2023

PORT OF BROWNSVILLE BOARD OF COMMISSIONERS

ESTEBAN GUERRA
RALPH COWEN
JOHN WOOD
JOHN REED
SERGIO "TITO" LOPEZ

CHAIRMAN
VICE CHAIRMAN
SECRETARY
COMMISSIONER
COMMISSIONER

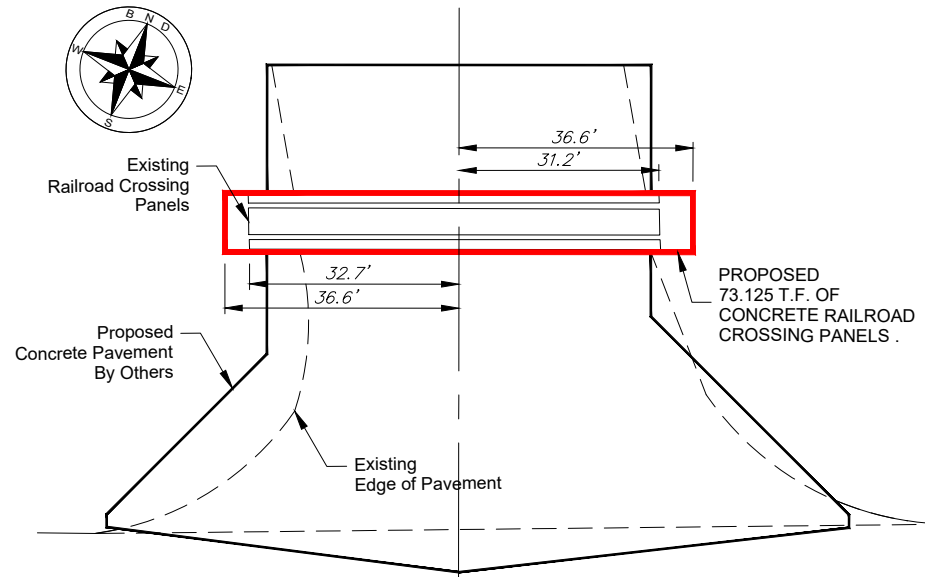


**DOCK 10 ROAD
CONCRETE DRIVEWAY
PLAN**

1" = 30'

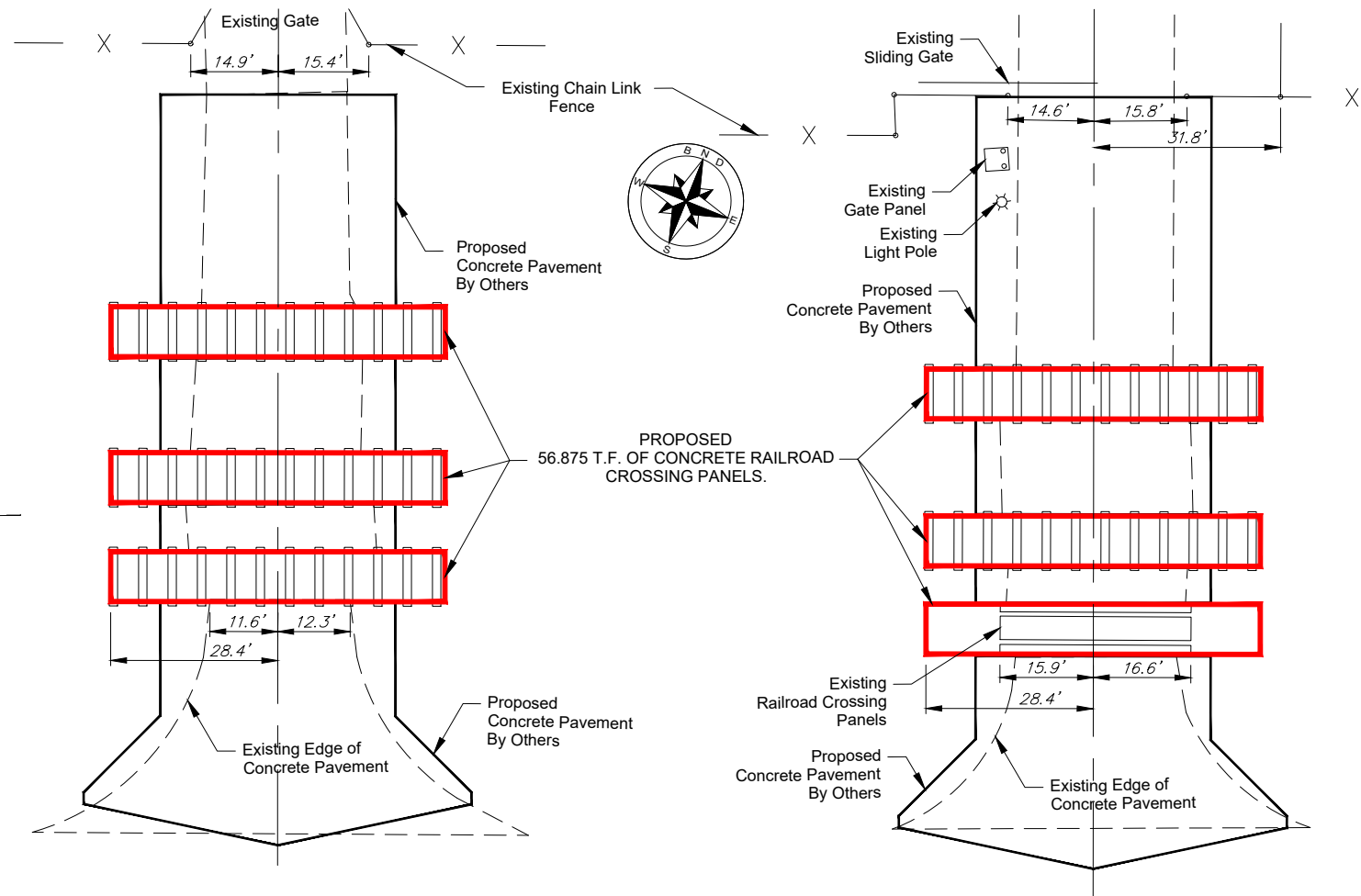
NOTES:

** DIMENSIONS AND CURVATURE DATA MUST BE COLLECTED AND FIELD VERIFIED BEFORE QUOTING.



**WINDHAUS ROAD
CONCRETE DRIVEWAY PLAN**

1" = 30'

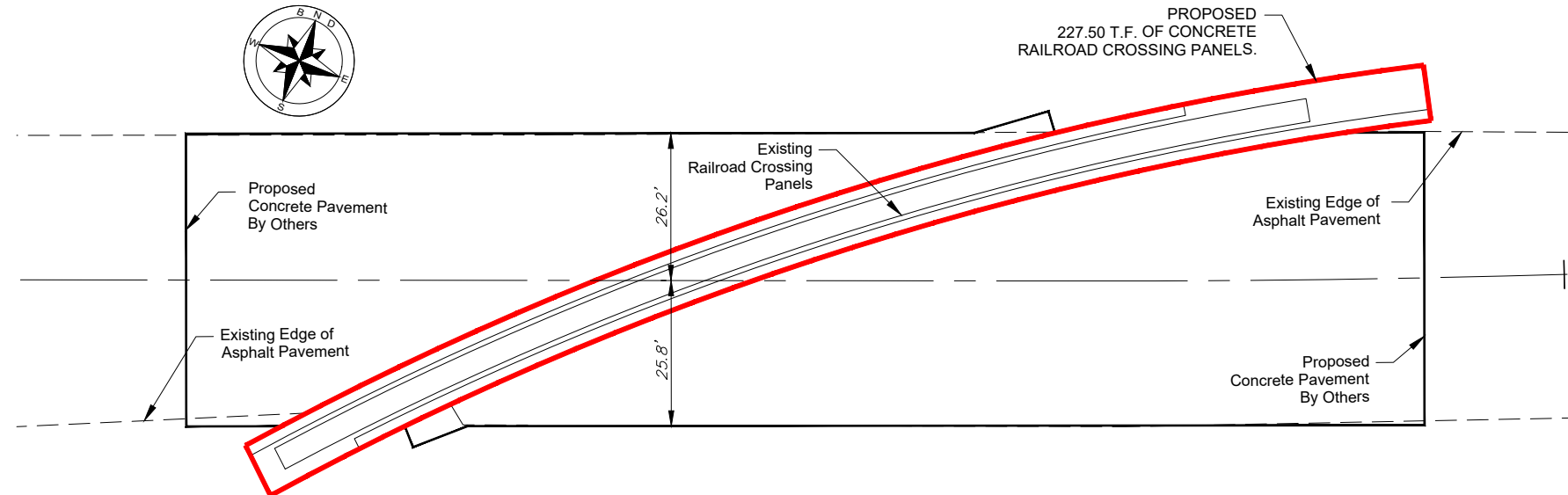


**DOCK 11 ROAD
CONCRETE DRIVEWAY PLAN**

1" = 30'

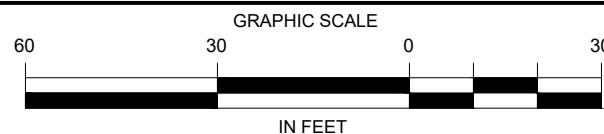
**DOCK 13 ROAD
CONCRETE DRIVEWAY PLAN**

1" = 30'



**RAILROAD CROSSING No. 2
CONCRETE PLAN**

1" = 30'



DRAWN BY:	P.E.	APPROVED BY:
DATE DRAWN:	JAN. 2023	REVISION DATE:
CHECKED BY:	A. CHAVEZ II	DWG. NO.:
SCALE:	AS SHOWN	FILE NAME:
		C:\MYDRAWINGS\502022\Railroad\proj\RRCrossingPlanMaterialsPlan.dwg